

GOODY FEST DEC 15

MERRY CHRISTMAS AND HAPPY NEW YEAR TO ALL

Happy
Birthday

Tom-N2NZD
Russ-W2FSL
Bob-WB2DUW

D
U
E
S



Please join us on the Tuesday night Traffic Net and Roundtable on 147.210 at 7:00 PM. ALL are welcome! Use the EchoLink (K2RVW-R) if need be.

The Thursday night nets will now be formal ARES/RACES nets with Bob, WB2DUW, as NCS. The HF only net has been cancelled.

Please Pay Your
Dues for 2009

Mail to:
Stan Engel, WA2UET
PO Box 153
Ghent, NY 12075
Or bring with you to meeting
Still only \$15—\$20 family

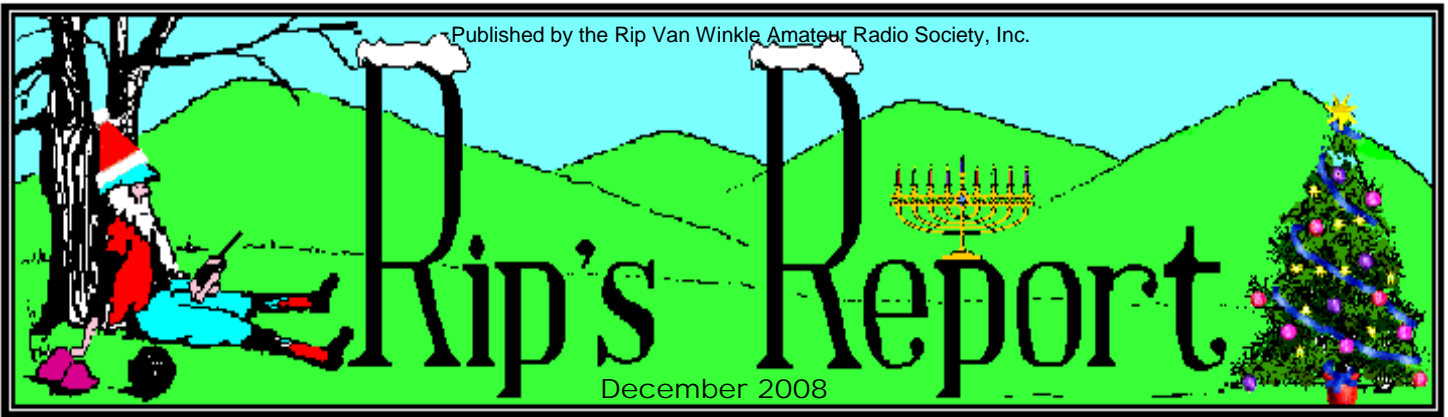
A
R
E
D
U
E
!



Meeting
December
15
7:00 PM
Noecker
"Club House"
Talk-in 147.21

As always PLEASE let us know if you have a problem with this Newsletter. My email address is: wa2uet@taconic.net

Any problems or suggestions are more than welcome.
Thanks



Important Vote on RVWARS Dues Scheduled for Dec. 15th Meeting

There has been much discussion at the past few monthly RVWARS meetings about the budget. More specifically our yearly dues income vs. our yearly expenses. I can't go into specific details here, but you may certainly obtain copies of the details from our Treasurer, Stan (WA2UET) on request. They are also available at the meetings.

Essentially, our expenses are about \$1100 a year MORE than our dues income. This hasn't been a problem thanks to the many small donations, and some very generous donations, as well as the fund raising events. However, we can't rely on an endless supply of donations, estate goods, and tag sale items to balance the budget.

A few ideas were passed around at the recent meetings. Such things as asking for more donations when collecting dues, reducing the insurance costs (which are minimum already), and a few others. But essentially what it comes down to is that we need to raise the membership dues in order to assure continued success as an organization in the future.

Per the Constitution and By-laws of the organization, the following proposal was submitted in writing, and discussed at the November meeting. A vote will be

held at the December 15th meeting at the Club House, 7pm.

(Please note: current 2009 dues will not be increased - Dues collected after April 1 2009 will be for 2010)

PROPOSED DUES
(Effective 2010)
Individual Member = \$25/yr
Family Membership = \$30/yr
Full time students = \$5/yr (No change)
Active Military = Free (No change)

This will bring the shortfall to about \$500 per year which we are hoping to be able to more easily manage with continued fundraising.

Thanks to ALL who make the club a success, and assist in keeping Amateur Radio alive.

Sincerely,
Tom Gutierrez N2NZD
President - Rip Van Winkle
Amateur Radio Society

Annual "Goodie Fest" Set for Dec. 15th Meeting at Clubhouse

The Annual "Goodie Fest" to celebrate the Holiday Season is set for Monday, December 15 at 7:00 p.m. at the Clubhouse on the corner of Graham Ave. and Rt. 66 in Hudson.

Everyone is encouraged to bring some Holiday Goodies to share with other hungry, sugar deprived RVWARS members, their wives, girl friends, boy friends, significant others and friends! As last year, there will be Pizza supplied by the Club along with coffee and soft drinks.

This meeting will also be important because of the vote on the Dues question. The business meeting will be short so the "business" of getting to the "Goodies" won't be delayed.

It is hoped that members will bring their family members and friends. It is also a perfect time to bring someone who might be interested in Amateur radio to see and hear the Clubhouse rig in action.

Did I mention Pizza. . . ? And the 50-50 drawing, too!





Upcoming Events

Monday, Dec 15 — 7:00 p.m.

RVWARS Meeting — Annual "Goodie Fest!"

Noecker Clubhouse. Rt. 66 & Graham Ave. Hudson

Monday, Jan. 5 — 7:00 p.m.

ARES/RACES Meeting —

Noecker Clubhouse. Rt. 66 & Graham Ave. Hudson

Monday, Jan 19 — 7:00 p.m.

RVWARS Meeting

Noecker Clubhouse. Rt. 66 & Graham Ave. Hudson

RVWARS Weekly Nets

Tuesday — 7:00 p.m.

Informal Roundtable Net. 147.21 Repeater

Thursday — 7:00 p.m.

ARES/RACES Emergency

Training Net: 147.21 Repeater



Rip Van Winkle Amateur Radio Society VITAL STATISTICS

President — Tom Gutierrez N2NZD
 Vice President — Steve Walsh W2SXX
 Secretary — Shelly Evans AA2Y
 Treasurer — Stan Engel WA2UET
 Historian — Stan Engel WA2UET
 Safety Officer — Stan Engel WA2UET
 Newsletter — David Clapper WA2FTI
 E-mail — dclapper@mhcable.com
 Repeaters — 147.21 224.280 449.925
 Club Call — Kilo 2 Rip Van Winkle
 Web Page — <http://www.rvwars.com>
 RVWARS E-mail — wa2fti@yahoo.com
<http://groups.yahoo.com/group/RVWARS/>

Amateur Radio Quiz: Watts In a Name?

By H. Ward Silver, NØAX

Nothing is what it seems, it seems as you shall see in this quiz, bursting at the seams with unseemly seas of see-mantics. See? Si!

- 1) When Ray Charles sang a song featuring this place's name, I don't think his mind was on this country.
 - 2) This African country has the same name as one of England's currencies.
 - 3) Which North African country was incorporated into the name of a famous jazz standard?
 - 4) These two DXCC entities lie in different oceans, but have the exact same holiday name!
 - 5) This flightless bird shares its name with a deleted DXCC entity.
 - 6) These Pacific Islands bear the name of a wise king.
 - 7) The name of this country also refers to a straw hat popular at the beginning of the twentieth century.
 - 8) Surprisingly, this African country figured prominently in the 2000 US election.
 - 9) This island is the favorite of Short Wave Listeners (SWLs).
 - 10) What Pacific island gets you up in the morning and what deleted DXCC entity keeps you awake?
 - 11) Name the ugly duckling that grew up to become a deleted DXCC entity.
 - 12) You can dress yourself in clothing bearing the names of these two entities.
 - 13) This is another pair of island DXCC entities sharing a holiday's name, but in different languages.
 - 14) What African DXCC entity has the sweetest song?
 - 15) In colonial times, these Pacific Islands were named for the English earl who invented a famous lunchtime meal.
- Bonus:** What noteworthy world events occurred when the cook dropped the platter holding Thanksgiving dinner?

—ANSWERS—

- 1) Georgia, 4L
 - 2) Guinea, 3X
 - 3) Tunisia, 3V (A Night in Tunisia)
 - 4) Christmas Islands (T32 in the Pacific and VK9 in the Indian)
 - 5) Penguin Island, ZS0
 - 6) Solomon Islands, H4
 - 7) Panama, HP
 - 8) Chad, TT
 - 9) Heard Island, VK0
 - 10) Wake Island, KH9, and Java PK1
 - 11) Swan Island, KS4
 - 12) Jersey, G1, and Bermuda (shorts), VP9
 - 13) Ascension (ZD8) and Easter (CE0) Islands
 - 14) Canary Islands (EA8)
 - 15) The Sandwich Islands, now the Hawaiian Islands (KH6)
- Bonus: The downfall of Turkey, the ruination of Greece, the destruction of China and the resurgence of Hungary.

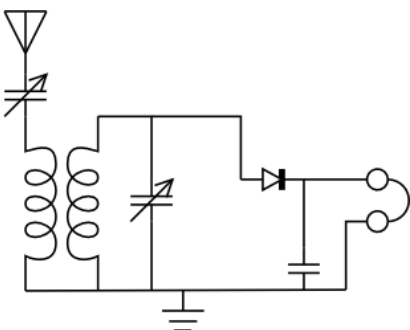
A CHRISTMAS EVE RADIO STORY

The year was 1906. Marconi had already invented the wireless telegraph and land and sea communication networks were being established. DeForest was attempting to perfect his "audion" (triode) tube.

Reginald Fessenden, a Canadian inventor and Ernst Alexanderson, a Swedish immigrant, were hard at work in Fessenden's Massachusetts laboratory. They developed a mechanical device to "alternate" a continuous radio wave. The device consisted of a huge disc that revolved at 20,000 rpm. They had connected it to a transmitter and a microphone, and discovered that they could "modulate" a radio signal!

On Christmas Eve, as wireless operators at land stations and aboard ships off the Massachusetts coast diligently maintained their radio watches by listening to the familiar Morse code signals; they were startled when they suddenly heard voices in their headphones! They listened spellbound. Then, they heard a woman singing! Finally, they heard someone playing a violin! It was Fessenden himself...playing the sacred carol "O Holy Night". No longer would radio sounds be restricted to the "dit's" and "dah's" of the Morse code.

That's how it happened. Christmas Eve...Nineteen Hundred and Six.



A Special QSL Card



It's Aug. 2, 2008, a Saturday morning, and I receive a manila 9 X 12 envelope with my call on it (WA2UJX). Upon opening, I discovered a most wonderfully illustrated glossy color QSL certificate from a special event station contact I had forgotten about. I remember working this SSB station and I know it was a portable site but yet they were 5 & 9+ signal.

Since I live about 4 miles from the "Old Rhinebeck Airdrome" here in Rhinebeck, N.Y., this Certificate and the contact mean a lot to me.

The photo of the "June Bug" reminded me of the many old pre-WW1 airplanes that I love to visit and explore at the "Airdrome".

What a nice surprise!

73 WA2UJX Carl J. Verderber

RVWARS Members in Hudson's Winter Walk

Three members of RVWARS will be making music for the opening of the annual Winter Walk in Hudson on Saturday, December 6. Ann, WA2KCU is the Director of the Coxsackie-Athens Community Band. Dave, WA2FTI, is the Assistant Director and 1st Alto Sax player. Shelly, AA2Y, plays Euphonium.

The Band has performed at Winter Walk for 10 years at the First Presbyterian Church on the

corner of 4th and Warren Streets. The trumpet section always sounds the Fanfare to open Winter Walk at the Opera House. (WA2FTI composed the fanfare.)

The concert begins at 5:15 p.m. and lasts about an hour. The selections played are Christmas and Holiday numbers that will definitely get you into the Christmas mood! Stop by and enjoy the music and then stroll up Warren St. to see and hear the sights and sounds of the Holiday Season!

A Ham's Night Before Christmas

Twas the night before Christmas,
And all through two-meters,
Not a signal was keying up
Any repeaters.

The antennas reached up
From the tower, quite high,
To catch the weak signals
That bounced from the sky.

The children, Tech-Pluses,
Took their HT's to bed,
And dreamed of the day
They'd be Extras, instead.

Mom put on her headphones,
I plugged in the key,
And we tuned 40 meters
For that rare ZK3.

When the meter was pegged
by a signal with power,
It smoked a small diode,
and, I swear, shook the tower.

Mom yanked off her phones,
And with all she could muster
Logged a spot of the signal
On the DX PacketCluster,

While I ran to the window
And peered up at the sky,
To see what could generate
RF that high.



©1996 Gary Pearce
KN4AQ
Raleigh Amateur
Radio Society

It was way in the distance,
But the moon made it gleam -
A flying sleigh, with an
Eight element beam,

And a little old driver
who looked slightly mean.
So I thought for a moment,
That it might be Wayne Green.

But no, it was Santa
The Santa of Hams.
On a mission, this Christmas
To clean up the bands.

He circled the tower,
Then stopped in his track,
And he slid down the coax
Right into the shack.



While Mom and I hid
Behind stacks of CQ,
This Santa of hamming
Knew just what to do.

He cleared off the shack desk
Of paper and parts,
And filled out all my late QSLs
For a start.

He ran copper braid,
Took a steel rod and pounded
It into the earth, till
The station was grounded.

He tightened loose fittings,
Resoldered connections,
Cranked down modulation,
Installed lightning protection.

He neutralized tubes
In my linear amp...
(Never worked right before --
Now it works like a champ).

A new, low-pass filter
Cleaned up the TV,
He corrected the settings
In my TNC.

He repaired the computer
That would not compute,
And he backed up the hard drive
And got it to boot.

Then, he reached really deep
In the bag that he brought,
And he pulled out a big box,
"A new rig?" I thought!

"A new Kenwood? An Icom?
A Yaesu, for me?!"
(If he thought I'd been bad
it might be QRPI)

Yes! The Ultimate Station!
How could I deserve this?
Could it be all those hours
that I worked Public Service?

He hooked it all up
And in record time, quickly
Worked 100 countries,
All down on 160.



I should have been happy,
It was my call he sent,
But the cards and the postage
Will cost two month's rent!

He made final adjustments,
And left a card by the key:
"To Gary, from Santa Claus,
Seventy-Three."

Then he grabbed his HT,
Looked me straight in the eye,
Punched a code on the pad,
And was gone - no good bye.

I ran back to the station,
And the pile-up was big,
But a card from St. Nick
Would be worth my new rig.

Oh, too late, for his final
came over the air.
It was copied all over.
It was heard everywhere.

The Ham's Santa exclaimed
What a ham might expect,
"Merry Christmas to all,
And to all, good DX."



Merry Christmas